

TX-8090SW1300C62F24-10H952770

PRODUCT SPECIFICATION

Features:

- ◆Excellent transiting heat from LED chip operating under 6A*3(S1+S2+S3)/6A*3(W1+W2+W3)
- ◆Provide uniform cross distribution of positive white and warm white dual color scheme, mixed pure.
- ◆High luminous output.
- ◆No UV.
- ◆Encapsulated materials are environmentally certified and meet environmental requirements.

Chip Material:

- ◆GaInN

Emitting Color:

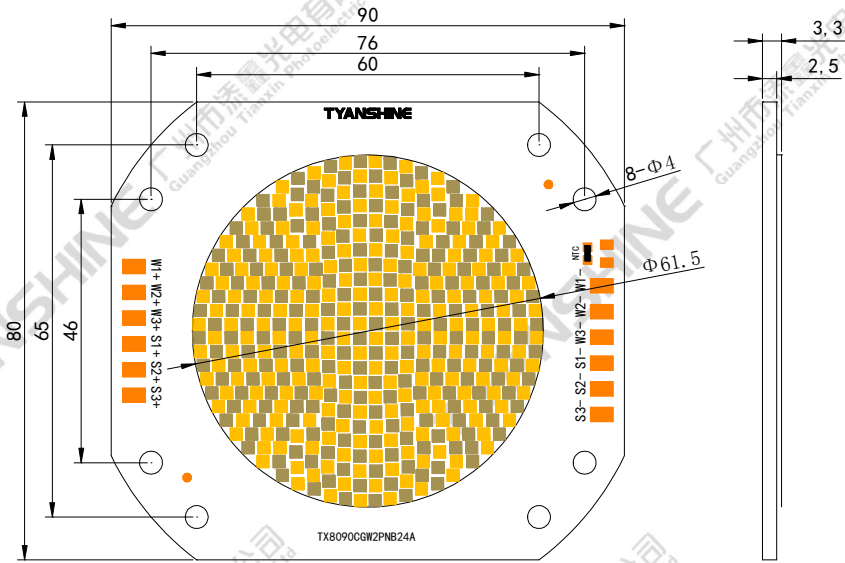
- ◆White
- ◆Warm white

Applications:

- ◆Commercial lighting
- ◆General Lighting

Part No.	TX-8090SW1300C62F24-10H952770	Spec No.	WKF-DD0026	Page	1 of 7
----------	-------------------------------	----------	------------	------	--------

Package Dimensions:



S1/S2/S3: Warm White (S) ; W1/W2/W3: White (W)

Notes:

- 1.All dimensions are in millimeters .
- 2.Tolerances unless otherwise mentioned are $\pm 0.25\text{mm}$.

Code Formats:

TX-8090SW1300C62F24-10H952770

TX	—	8090	SW	1300	C	62	F	24	—	10	H95	2770
TYANSHINE	—	series	performance	watt typ	texture	LES	chip code	die count in series	—	BOM	Ra	CCT

Part No.	TX-8090SW1300C62F24-10H952770	Spec No.	WKF-DD0026	Page	2 of 7
----------	-------------------------------	----------	------------	------	--------

Absolute Maximum Ratings

Parameter	Symbol	Ratings	Unit
Forward Current	IF (S1+S2+S3)	6A*3	A
	IF (W1+W2+W3)	6A*3	A
	IF (S1+S2+S3) + (W1+W2+W3)	(12A)+(12A)	A
Reverse Voltage	VR	Not designed for reverse operation	V
Power Dissipation	PD	S1+S2+S3	1300
		W1+W2+W3	1300
		(S1+S2+S3) + (W1+W2+W3)	1800
Junction Temperature	Tj	W	150
		S	150
Case Temperature (C)	Tc	90	°C
Electrostatic Discharge Threshold (ESD)	ESD	2000	V
Storage Temperature	Tstg	-40~+100	°C
Operation Temperature	Topr	-40~+90	

Notes:

- Specifications are subject to change without notice.
- The data on this specification is for reference only and the actual data is in accordance with the acknowledgment.
- Precautions for ESD:
STATIC SHIELD Electricity and surge damages the LED. It is recommended to use a wrist band or anti-electrostatic glove when handling the LED. All devices, equipment and machinery must be properly grounded.

Part No.	TX-8090SW1300C62F24-10H952770	Spec No.	WKF-DD0026	Page	3 of 7
----------	-------------------------------	----------	------------	------	--------

Electrical Optical Characteristics (Tc=25°C)

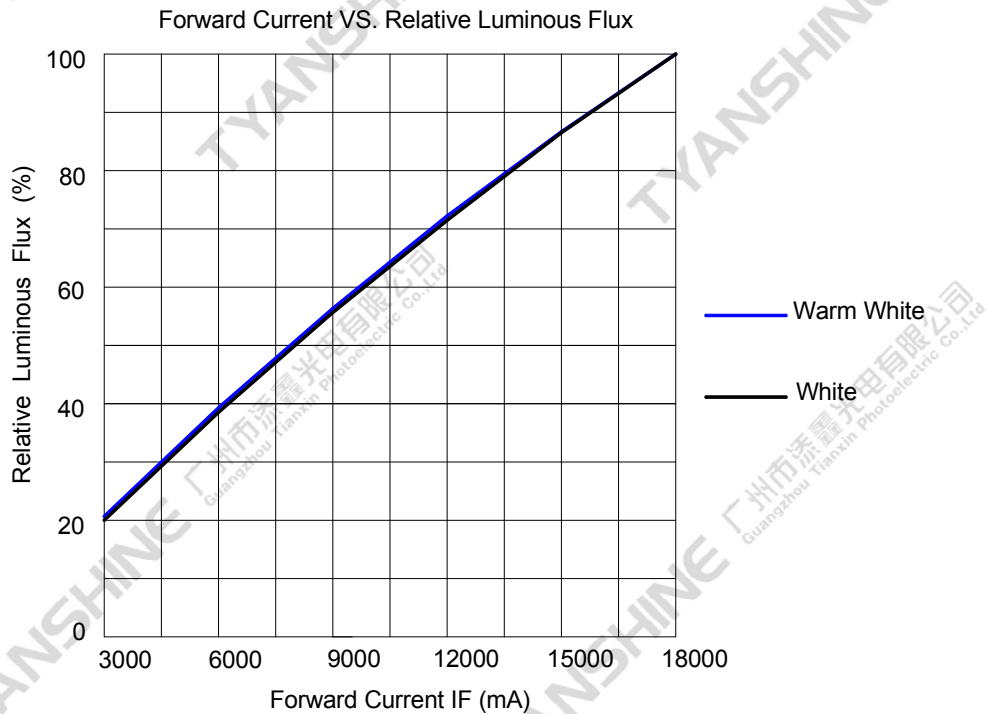
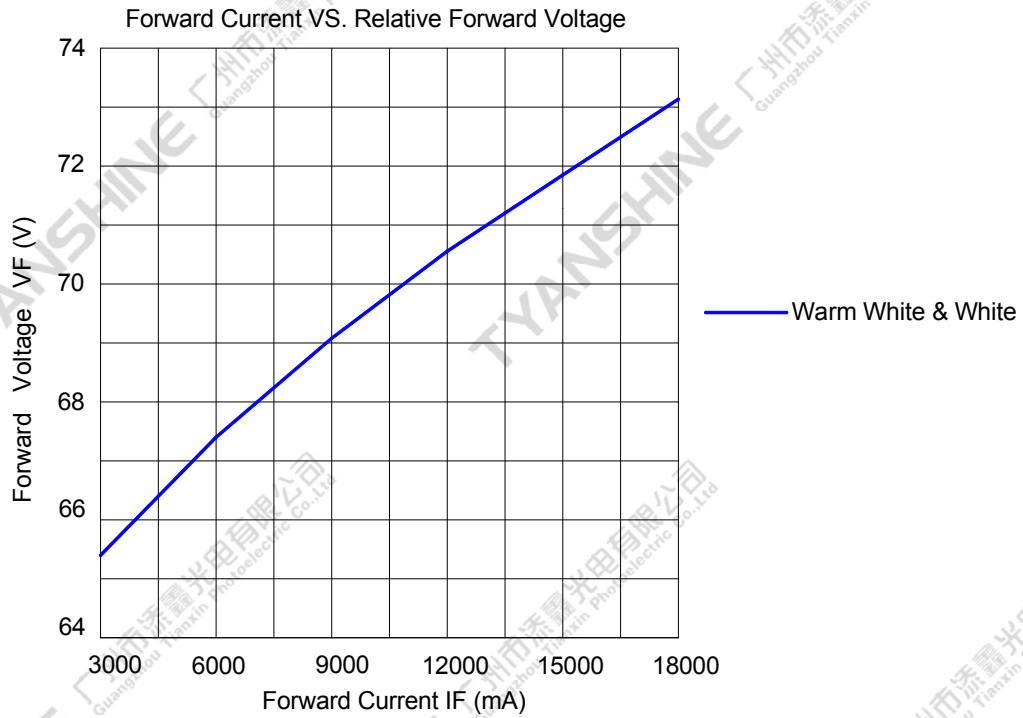
Parameter	Symbol	Condition	Emitting color	Min.	Typ.	Max.	Units
Luminous Flux	Φ_v	If=6A*3	S1+S2+S3	100000	110000	—	lm
			W1+W2+W3	130000	145000	—	
Forward Voltage	V_f		S1+S2+S3	70	73	76	V
			W1+W2+W3	70	73	76	
Correlated Colour Temperature	CCT		S1+S2+S3	2600	—	2750	K
			W1+W2+W3	6400	—	7000	
Viewing Angle at 50% IV	$2\theta_{1/2}$		S1+S2+S3	—	115	—	Deg
			W1+W2+W3	—	115	—	
Color Rendering Index	Ra	S/W	95	—	—	—	
TLCI	—	S/W	95	—	—	—	

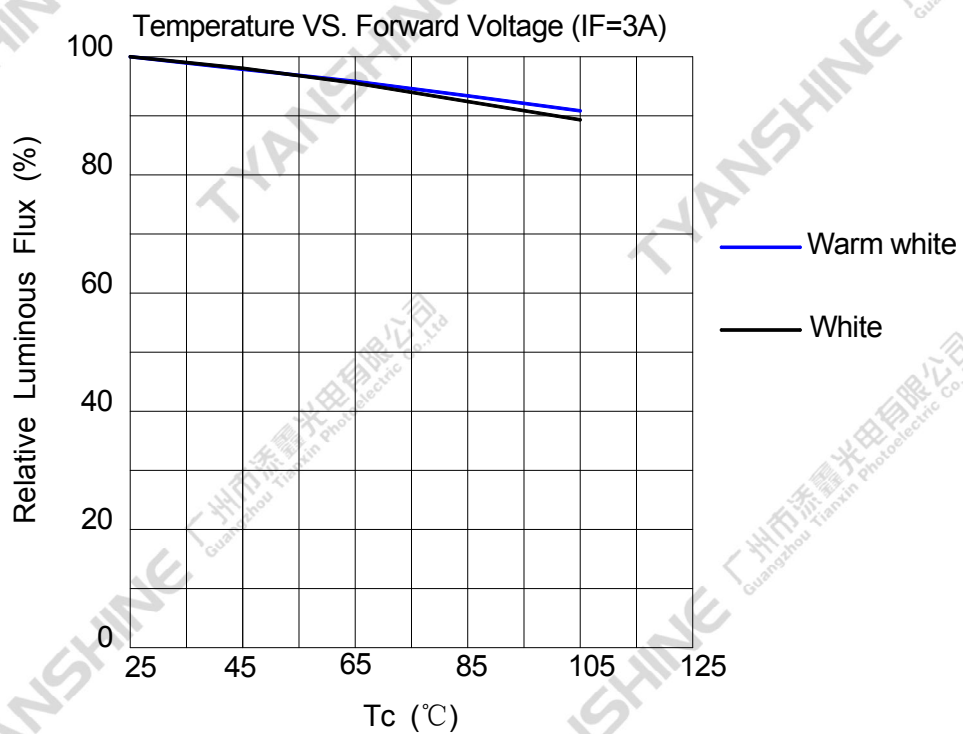
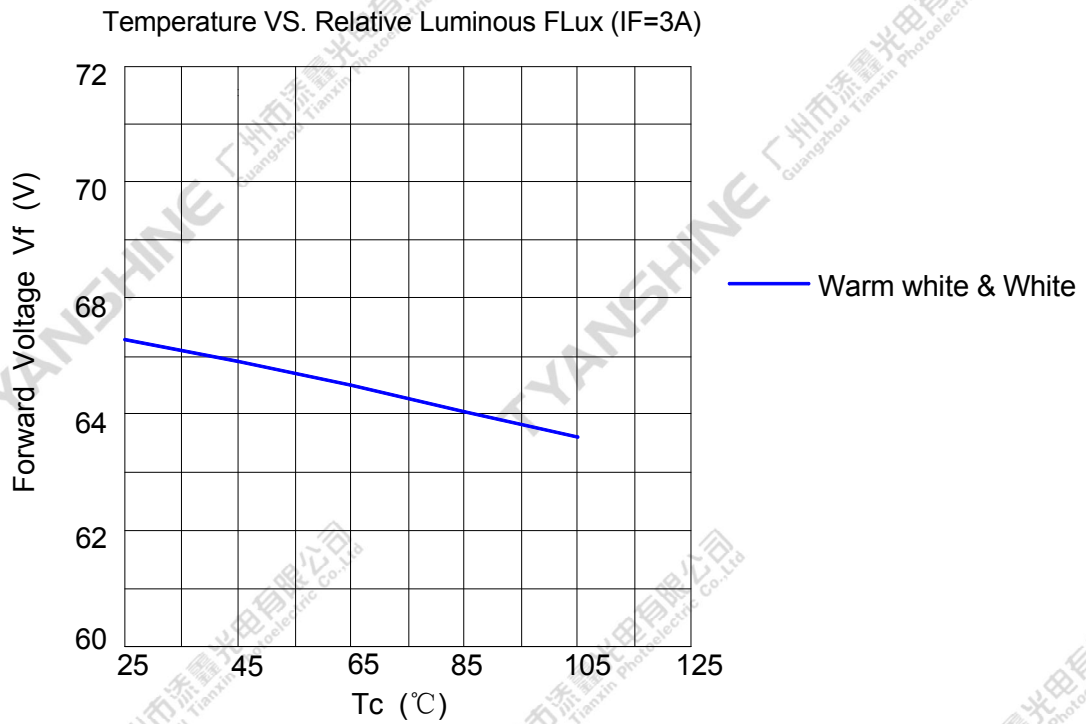
Notes:

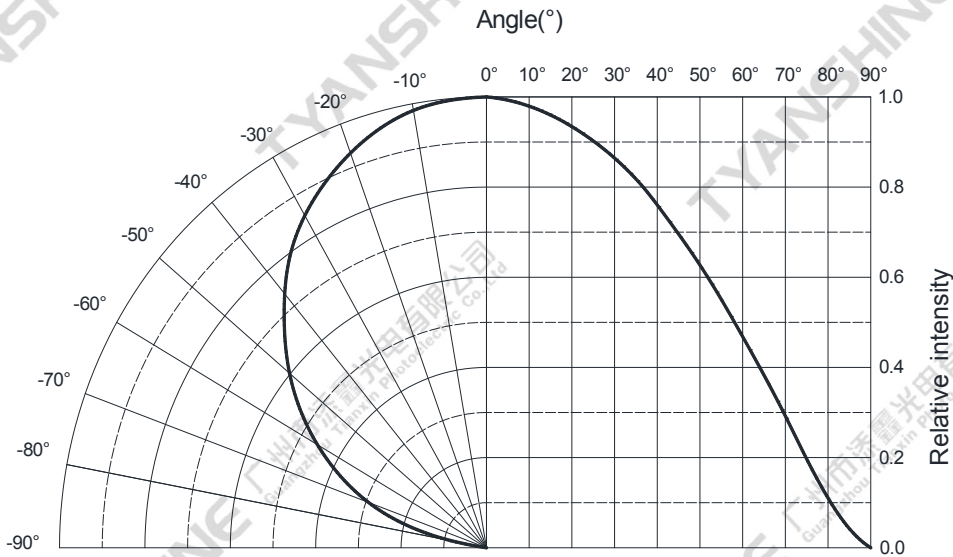
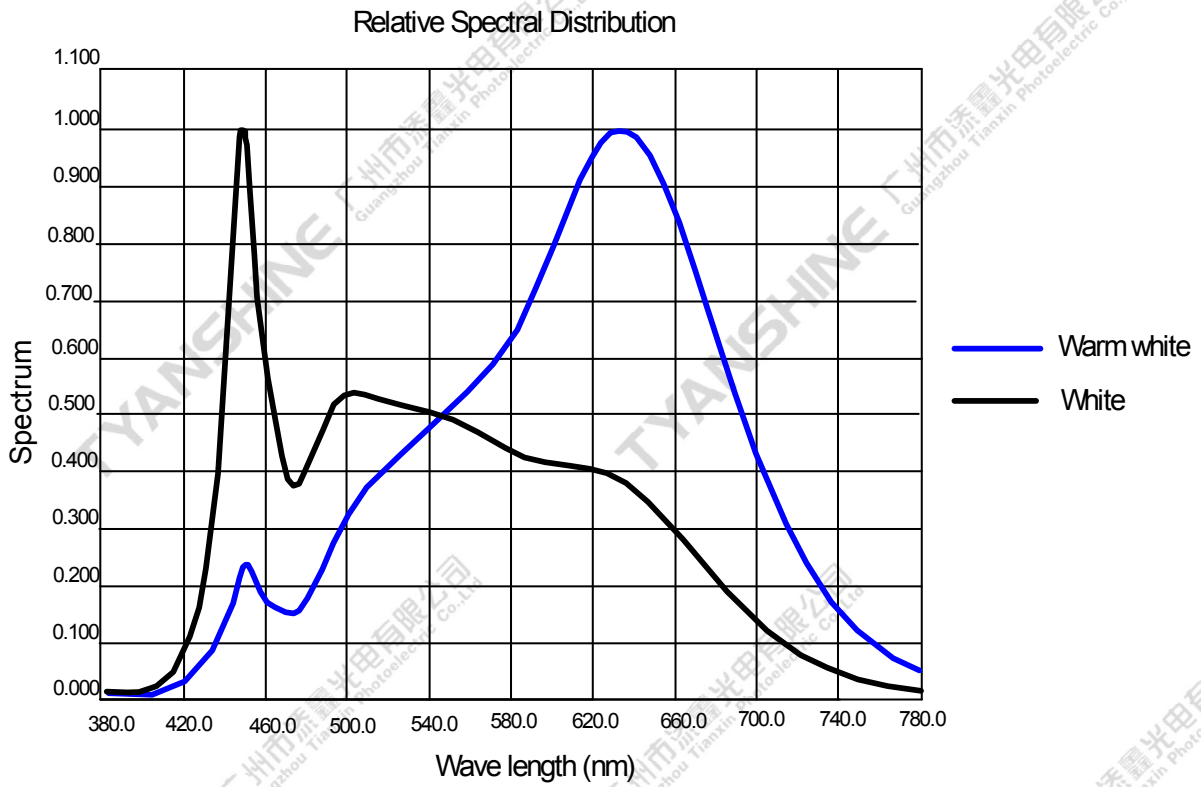
- 1.Luminous intensity is measured with a light sensor and filter combination that approximates the CIE eye-response curve.
2. $\theta_{1/2}$ is the off-axis angle at which the luminous intensity is half the axial luminous intensity.
- 3.Luminous flux measurement tolerance:±10%.
- 4.Forward voltage measurement tolerance:±3%.
- 5.Ra measurement tolerance: ±2.
- 6.chromaticity (x, y) measurements tolerance: ±0.005.

Typical Electrical/Optical Characteristics Curves

(25°C Ambient Temperature Unless Otherwise Noted)







Notes:

1. $2\theta_{1/2}$ is the off axis angle from lamp centerline where the luminous intensity is 1/2 of the peak value.
2. View angle tolerance is $\pm 5^\circ$.

Part No.	TX-8090SW1300C62F24-10H952770	Spec No.	WKF-DD0026	Page	7 of 7
----------	-------------------------------	----------	------------	------	--------